

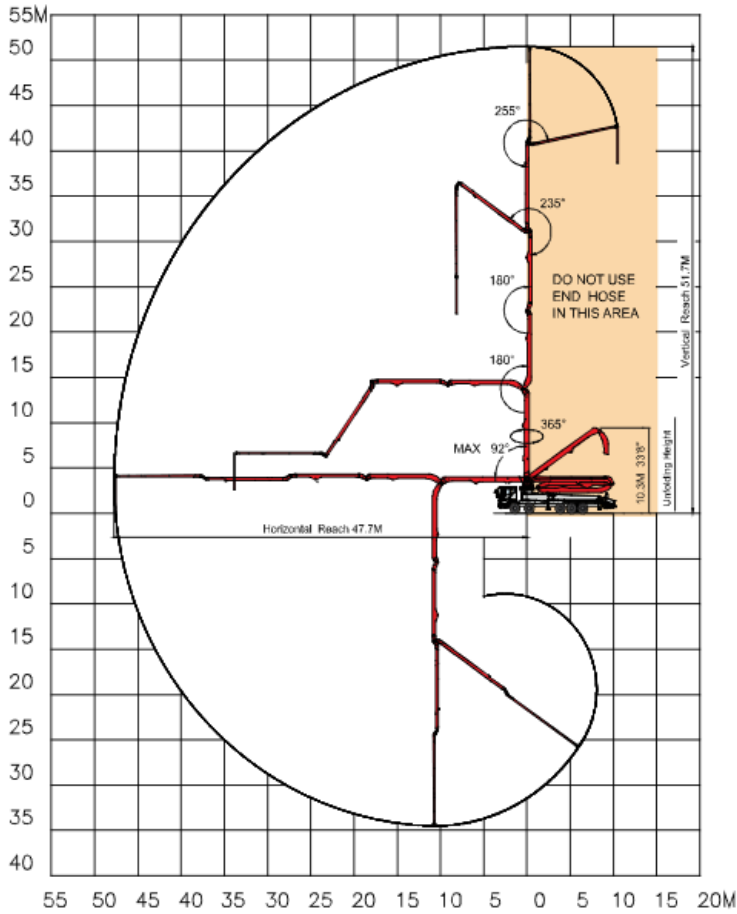
# 52m Concrete Placement Boom

Plant ID: ERCP4-52

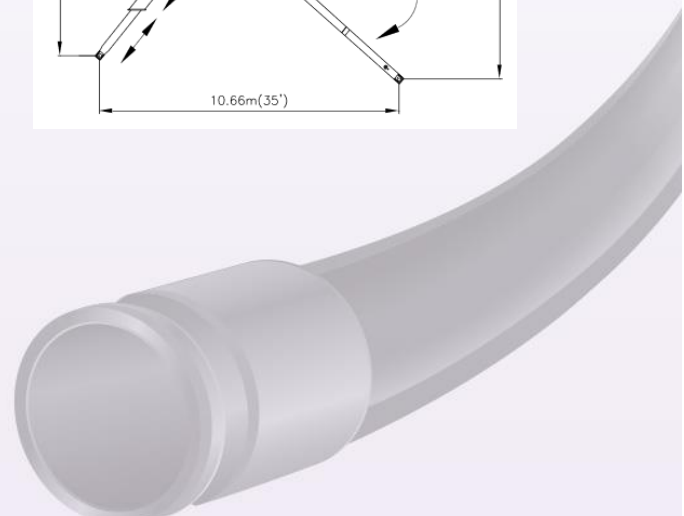
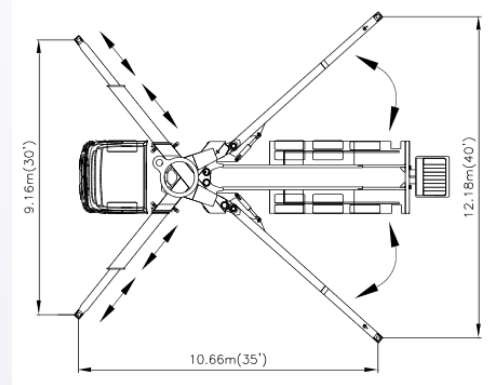
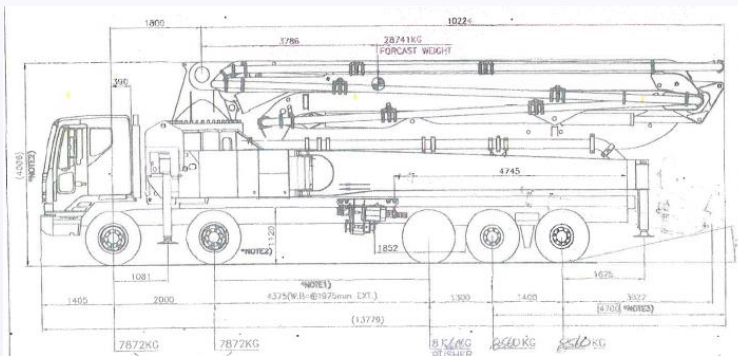


## Easy Reach Concrete Pumping

PO Box 8209  
 Garbutt QLD 4812  
 Phone 0400 936 868  
 Email [admin@easyreachconcretepumping.com.au](mailto:admin@easyreachconcretepumping.com.au)  
 ABN 61 158 149 305 / ACN 158 149 305



Boom Specifications	
Model	JXR-5.18HP
Delivery Line	DN 125/5"
Arms	4
Folding System	RZ
Vertical Reach	47.7m
Horizontal Reach	51.7m
Depth of Reach	35m
Unfolding Height	10.3m
End Hose Length Max	4m
End Hose Size Max	4"
Max bearing pressure	300kN
Weight	42 tonnes
Outrigger footprint	10.6m x 12.8m
Max wind speed for operation	61km/hour



INDUSTRIAL • COMMERCIAL • RESIDENTIAL  
 Slabs • Decks • Block fill • Line pump to 52m boom

[www.easyreachconcretepumping.com.au](http://www.easyreachconcretepumping.com.au)