

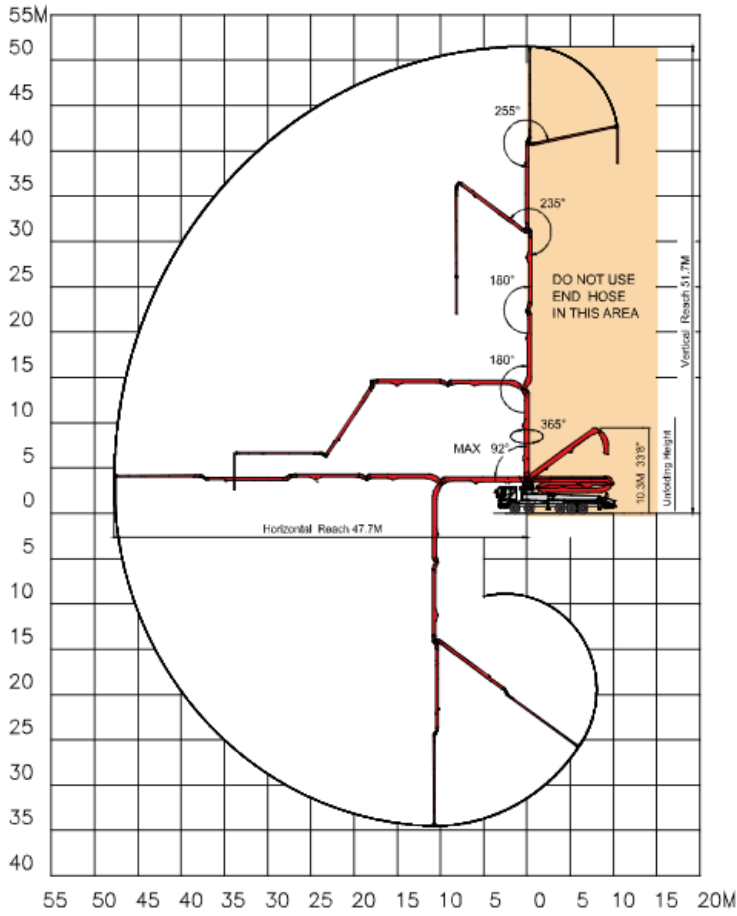
52m Concrete Placement Boom

Plant ID: ERCP4-52

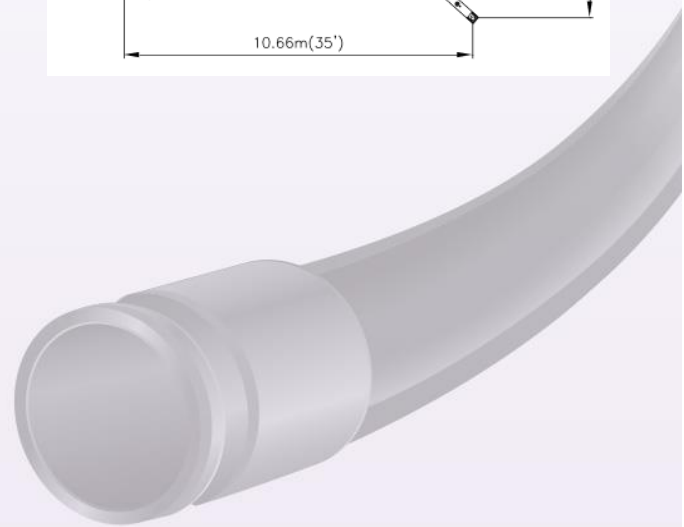
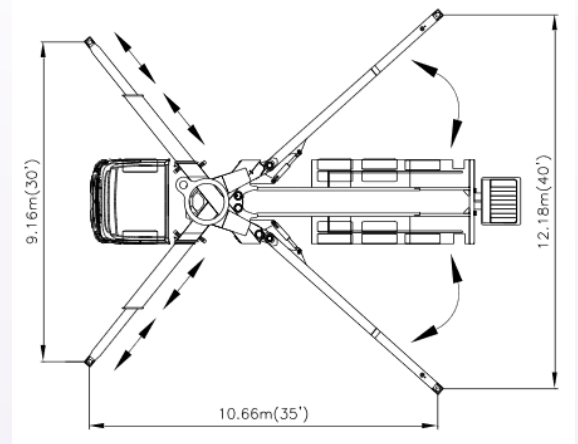
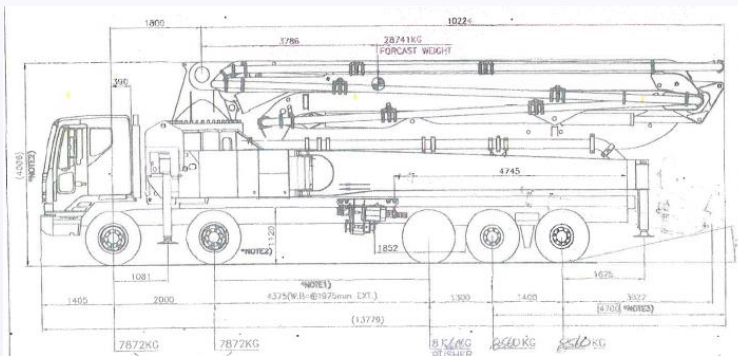


Easy Reach Concrete Pumping

PO Box 8209
 Garbutt QLD 4812
 Phone 0400 936 868
 Email admin@easyreachconcretepumping.com.au
 ABN 61 158 149 305 / ACN 158 149 305



Boom Specifications	
Model	JXR-5.18HP
Delivery Line	DN 125/5"
Arms	4
Folding System	RZ
Vertical Reach	47.7m
Horizontal Reach	51.7m
Depth of Reach	35m
Unfolding Height	10.3m
End Hose Length Max	4m
Max bearing pressure	300kN
Weight	42 tonnes
Outrigger footprint	10.6m x 12.8m



INDUSTRIAL • COMMERCIAL • RESIDENTIAL
 Slabs • Decks • Block fill • Line pump to 52m boom

www.easyreachconcretepumping.com.au