

42m Concrete Placement Boom

Plant ID: ERCP1-42



Easy Reach Concrete Pumping

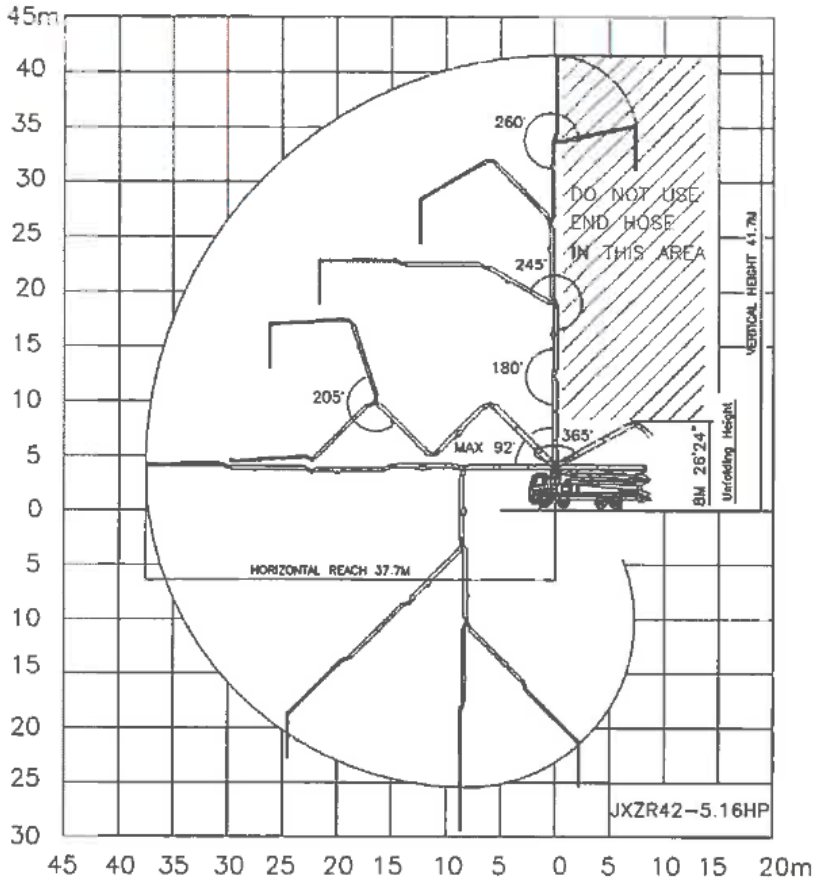
PO Box 8209

Garbutt QLD 4812

Phone 0400 936 868

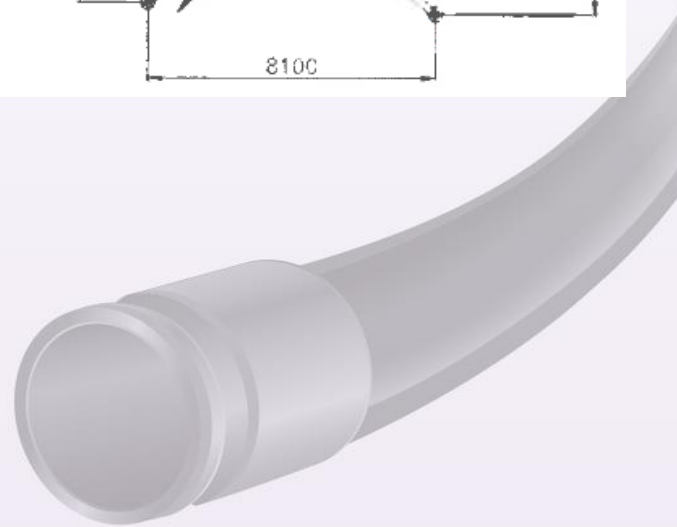
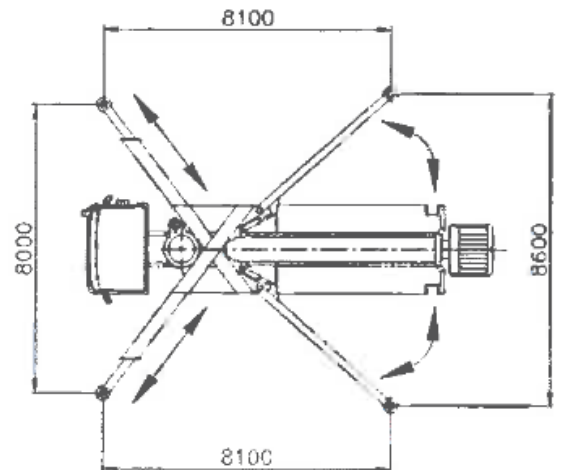
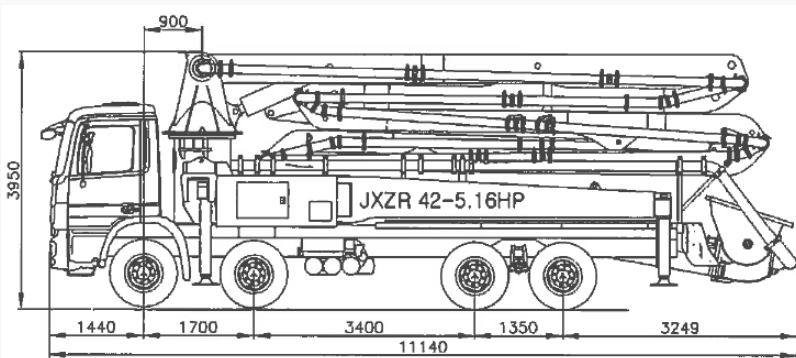
Email admin@easyreachconcretepumping.com.au

ABN 61 158 149 305 / ACN 158 149 305



Boom Specifications

Model	JXZR42.5
Delivery Line	125/5"
Arms	4
Folding System	RZ
Vertical Reach	41.7m
Horizontal Reach	37.7m
Depth of Reach	30m
Unfold Height	8m
End Hose Length Max	4m
Max bearing pressure	200kN
Weight	33 tonnes
Outrigger footprint	9.5m x 10m



INDUSTRIAL • COMMERCIAL • RESIDENTIAL
Slabs • Decks • Block fill • Line pump to 52m boom

www.easyreachconcretepumping.com.au