

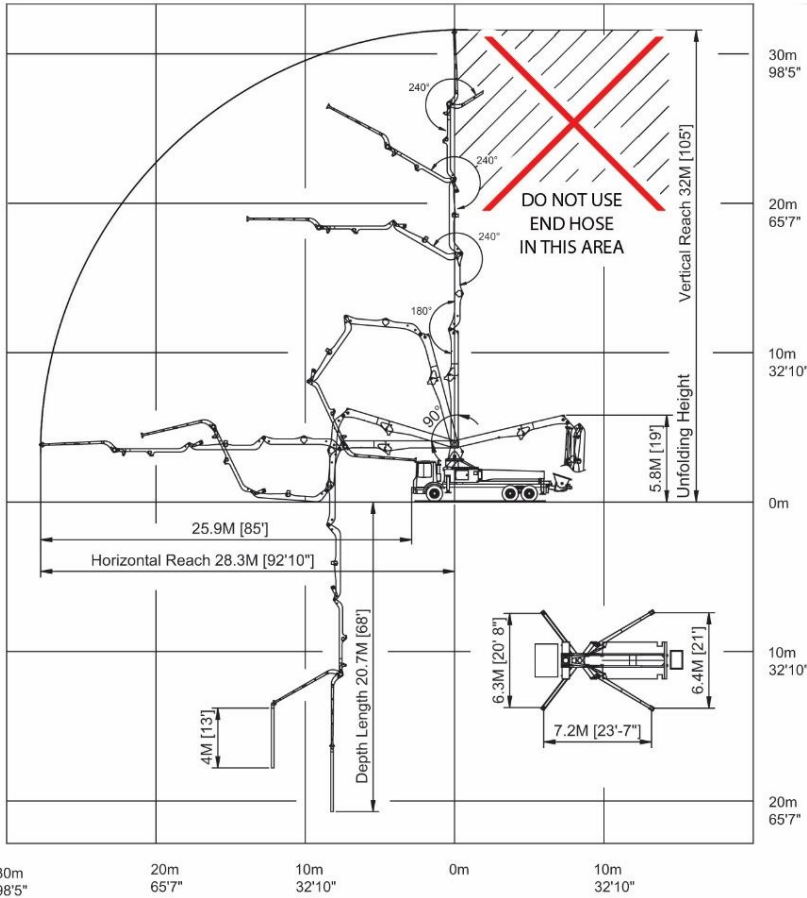
# 33m Concrete Placement Boom

Plant ID: ERCP3-32



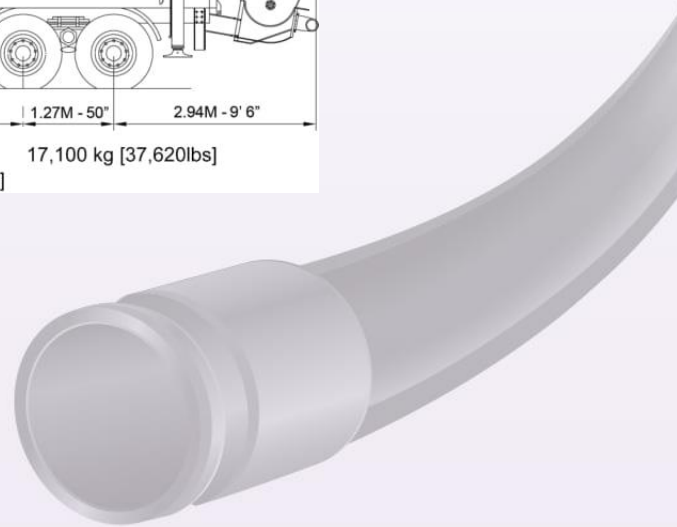
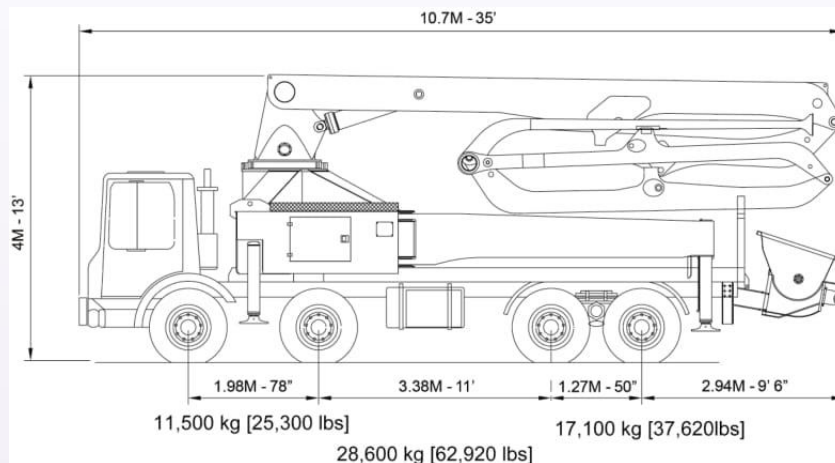
## Easy Reach Concrete Pumping

PO Box 8209  
Garbutt QLD 4812  
Phone 0400 936 868  
Email [admin@easyreachconcretepumping.com.au](mailto:admin@easyreachconcretepumping.com.au)  
ABN 61 158 149 305 / ACN 158 149 305



## Boom Specifications

Model	KCP33ZX170/105
Delivery Line	125/5"
Arms	4
Folding System	RZ
Vertical Reach	33m
Horizontal Reach	28.3m
Depth of Reach	20.7m
Unfold Height	5.8m
End Hose Length Max	4m
Max bearing pressure	175kN
Weight	30 tonnes
Outrigger footprint	9m x 6.5m



INDUSTRIAL • COMMERCIAL • RESIDENTIAL  
Slabs • Decks • Block fill • Line pump to 52m boom

[www.easyreachconcretepumping.com.au](http://www.easyreachconcretepumping.com.au)