

38m Concrete Placement Boom

Plant ID: ERCP5-38



Easy Reach Concrete Pumping

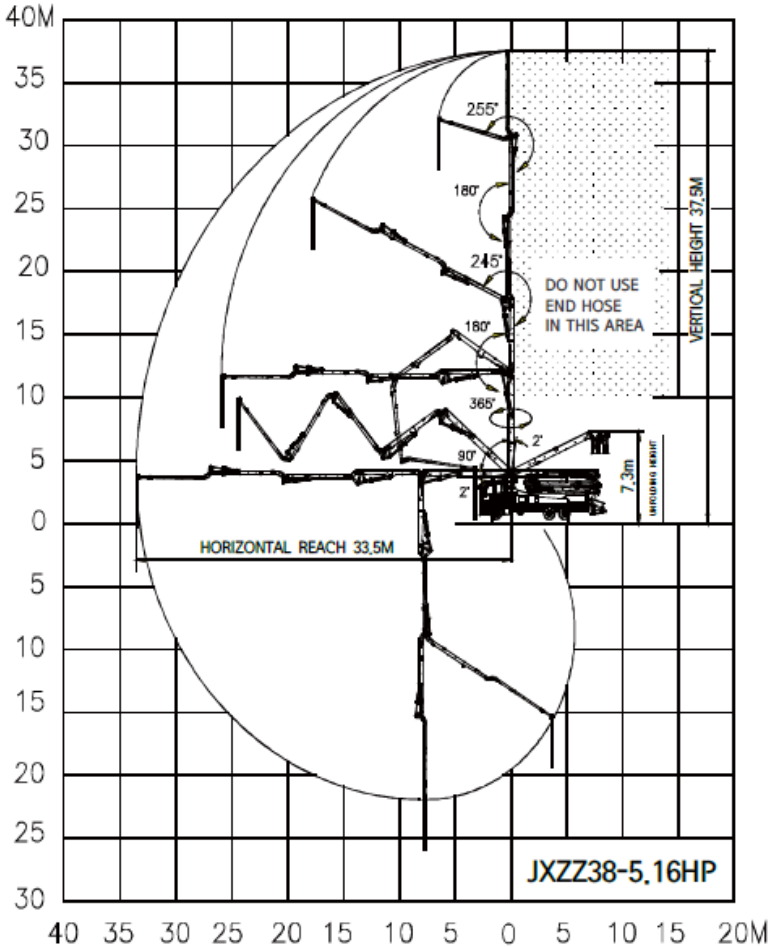
PO Box 8209

Garbutt QLD 4812

Phone 0400 936 868

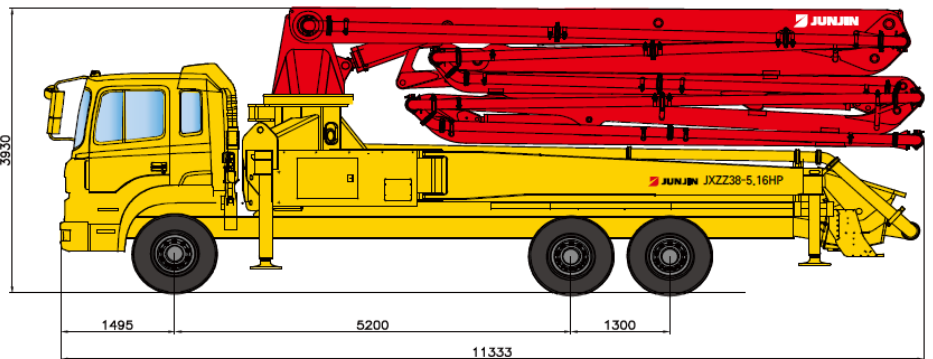
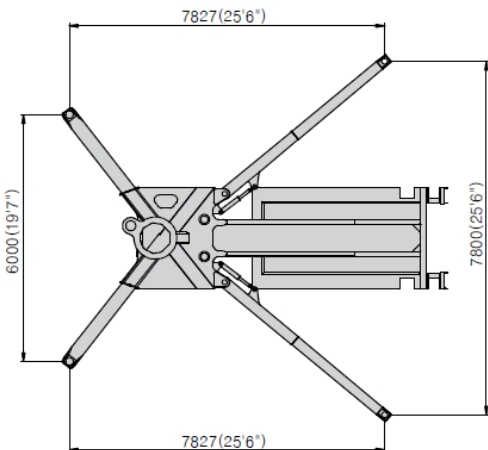
Email admin@easyreachconcretepumping.com.au

ABN 61 158 149 305 / ACN 158 149 305



Boom Specifications

Model	JXZZ38-5.18HP
Delivery Line	DN 125 / 5"
Arms / Sections	5
Folding System	Z & Z Type
Vertical Reach	37.5m
Horizontal Reach	33.5m
Depth of Reach	26m
Unfold Height	7.3m
End Hose Length Max	4m
End Hose Size Max	4"
Max bearing pressure	250kN
Weight	31 tonne
Outrigger footprint	7.8m x 7.8m
Max wind speed for operation	74km/hr



* Remark : Standard specification with HD260. Dimension depends on truck specification.